



*Not For Use With Potable Drinking Water Applications

VALVES

GLOBE - BRASS
200 WOG/CWP

FEATURES & APPLICATIONS:

- 200 WOG/CWP
- Screwed Bonnet
- Female x Female NPT Threads
- Recommended for Bi-Directional service in commercial and industrial applications, including hot and cold water, HVAC, steam, compressed air, gas and other utility services.

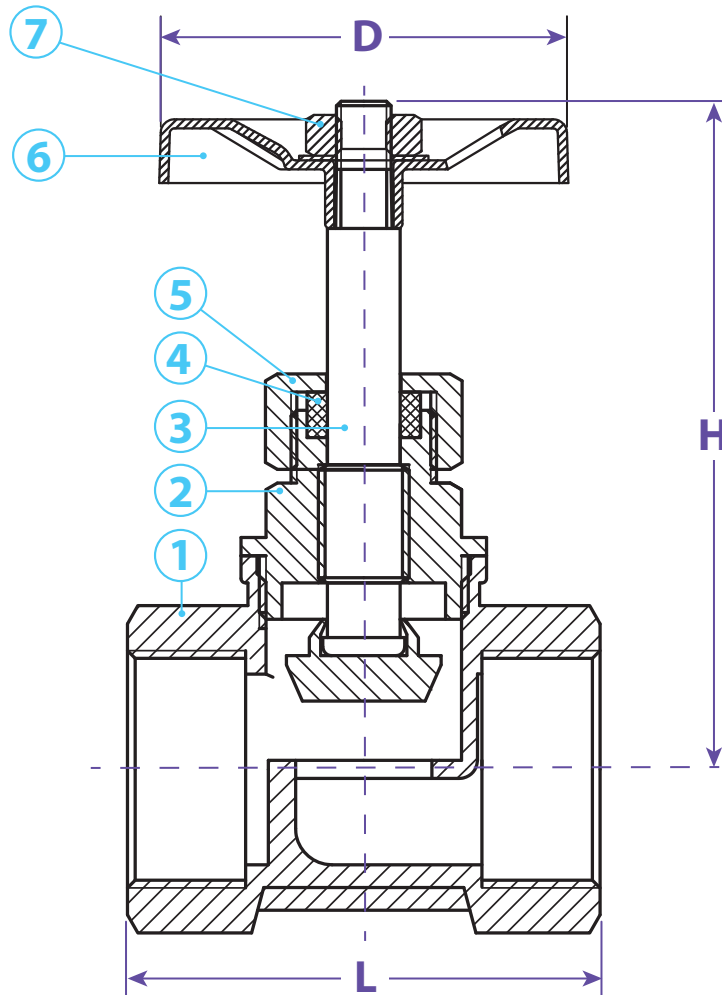
TECHNICAL DATA:

- **WOG** = Rating indicates the maximum non-shock pressure at ambient temperatures at which the valve may be used.
- **CWP** = Cold working pressure

WOG: Water, Oil & Gas: This was an older, generic pressure rating call-out which has been largely replaced by CWP. In this designation, "GAS" refers to any non-flammable, compressible fluid in a gaseous state. It does not imply a product's suitability or third-party approval for use with flammable gases. Similarly, in this designation, "Oil" does not imply a product's third-party approval for use with any petroleum products.

BRASS

Size	Part #
1/2"	GLV 050
3/4"	GLV 075
1"	GLV 100
1-1/4"	GLV 125
1-1/2"	GLV 150
2"	GLV 200
2-1/2"	GLV 250
3"	GLV 300
4"	GLV 400



Dimensions				
Size	L	H	D	Part #
1/2"	1.83	2.64	2.09	GLV 050
3/4"	2.05	2.76	2.09	GLV 075
1"	2.40	2.99	2.40	GLV 100
1-1/4"	2.87	3.58	3.11	GLV 125
1-1/2"	3.27	4.33	3.11	GLV 150
2"	3.93	4.33	3.43	GLV 200
2-1/2"	4.41	5.12	3.86	GLV 250
3"	5.09	5.51	4.25	GLV 300
4"	6.22	6.69	4.96	GLV 400

Nomenclature & Material		
No.	Description	Material
1	Body	Brass
2	Cap	Brass
3	Stem	Brass
4	Packing	PTFE
5	Packing Cap	Brass
6	Handle	Q 235 Iron
7	Hex Nut	Q 235 Iron

TITLE
GLOBE VALVE

DISCLAIMER
WOG: Water, Oil & Gas: This was an older, generic pressure rating call-out which has been largely replaced by CWP. In this designation, GAS^o refers to any non-flammable, compressible fluid in a gaseous state. It does not imply a product's suitability or third-party approval for use with flammable gases. Similarly, in this designation, "Oil" does not imply a product's third-party approval for use with any petroleum products.

MATERIAL
BRASS

DRAWING NOT TO SCALE

PART #
GLV...